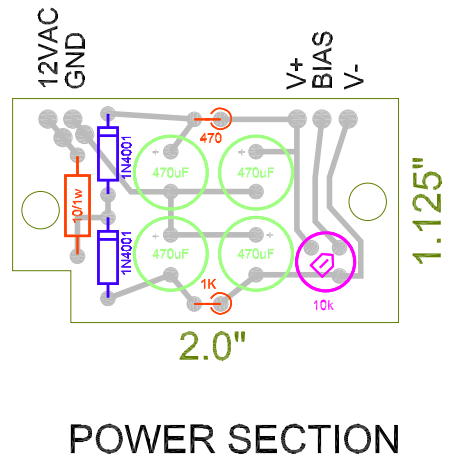
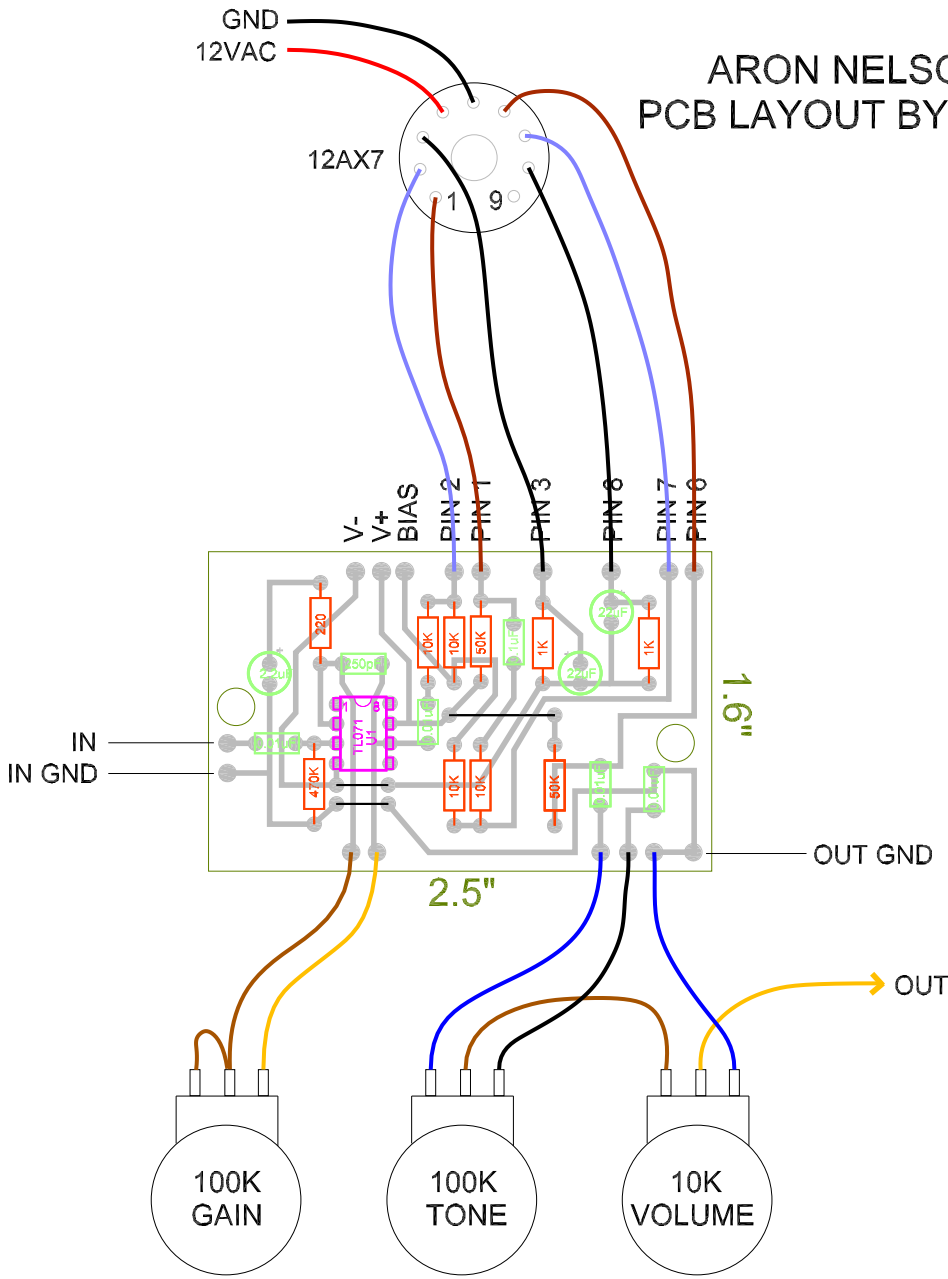


ARON NELSON'S "SHAKA TUBE" PCB LAYOUT BY PAUL MAROSSY 8/25/04



TUBE/OPAMP SECTION

