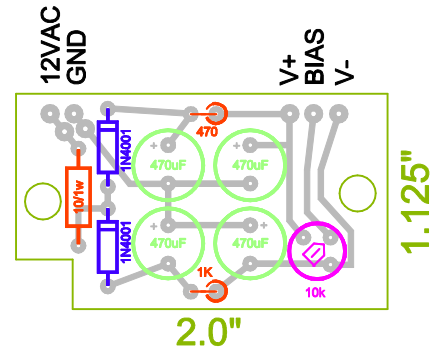
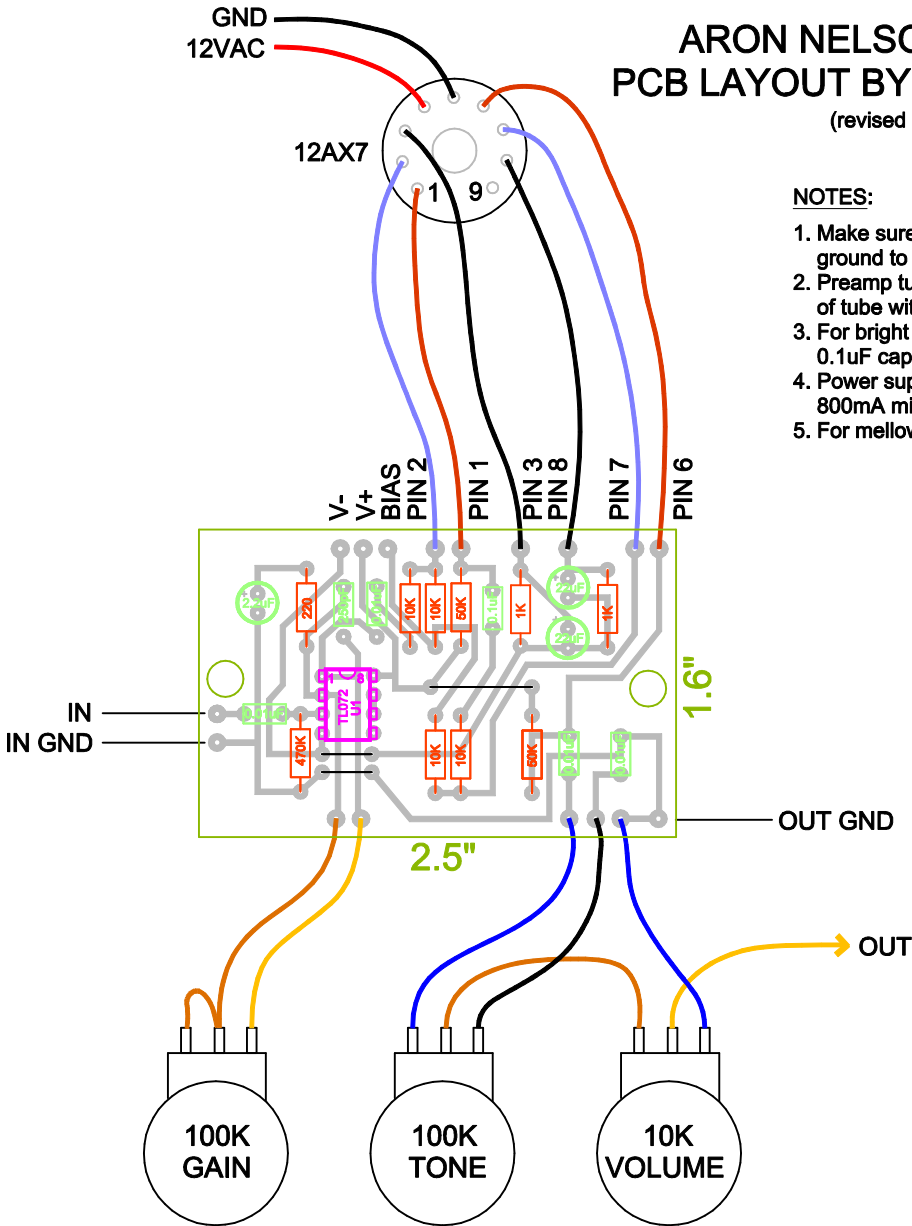


ARON NELSON'S "SHAKA TUBE" PCB LAYOUT BY PAUL MAROSSY 10/2/06

(revised for TL072 opamp)

NOTES:

1. Make sure to connect power section PCB ground to tube/opamp PCB ground.
2. Preamp tube is looking at bottom of tube with pins pointing up.
3. For bright switch, add 0.047uF to 0.1uF cap to ground on output.
4. Power supply should be 12.6VAC, 800mA minimum.
5. For mellow tone, use 50K tone pot.



POWER SECTION

TUBE/OPAMP SECTION

