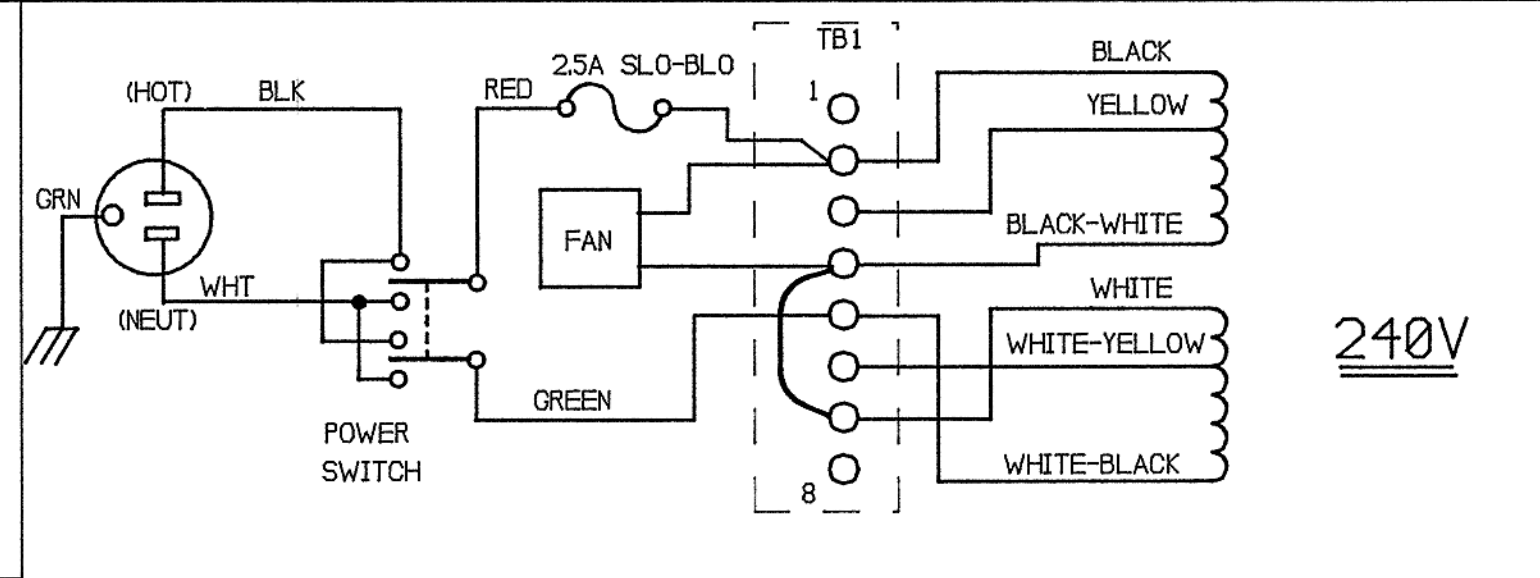
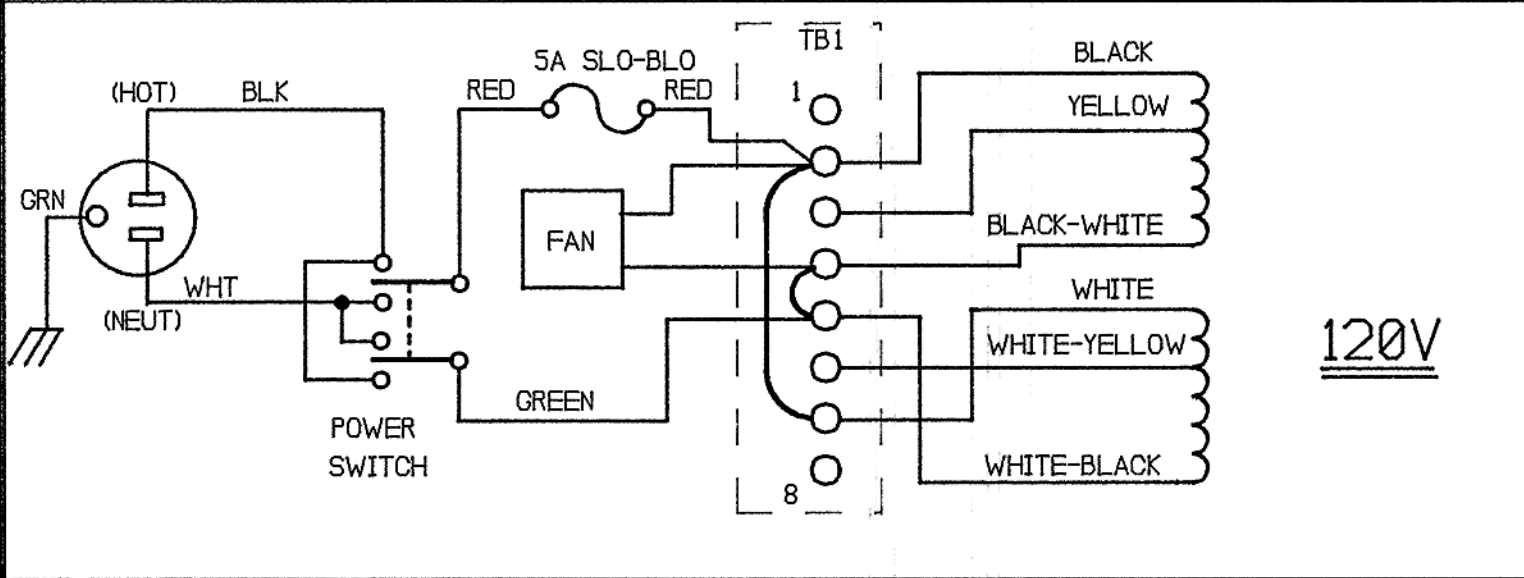
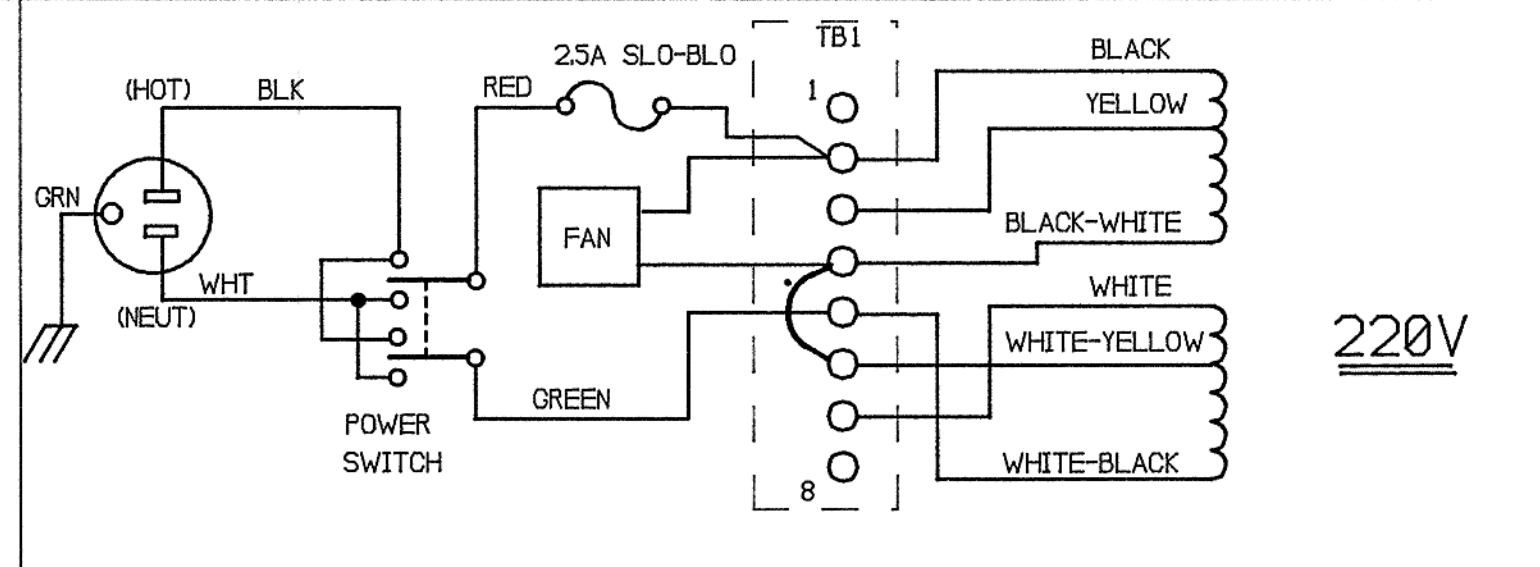
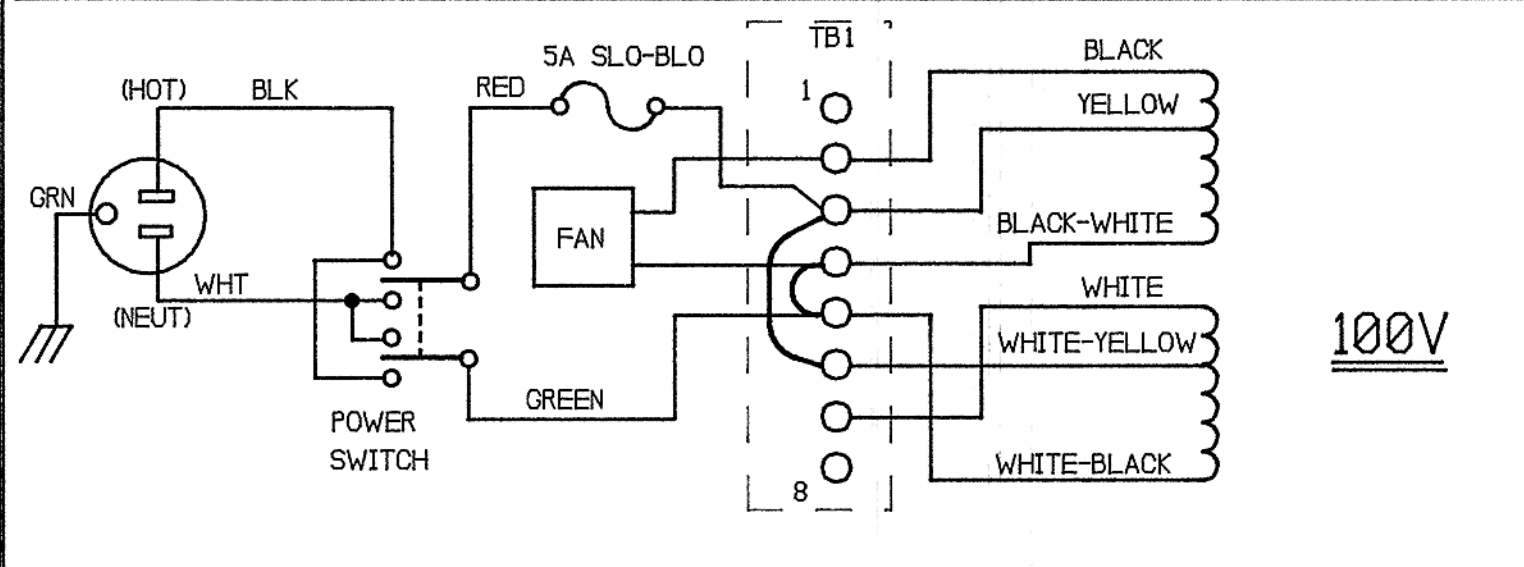


REVISIONS			
REV	DESCRIPTION	DATE	APPR



NOTES: UNLESS OTHERWISE SPECIFIED

INTERPRET DRAWING PER ANSI Y14
 DIMENSIONS ARE IN INCHES AND APPLY AFTER PLATING
 BREAK SHARP EDGES

DWN	J F PARSONS	DATE	03/30/93
CHECK			
PROJ ENGR	KEVIN BELLER	DATE	3/30/93
APPR			
NEXT ASSY		USED ON	
THIS DOCUMENT CONTAINS PROPRIETARY INFORMATION. IT MAY NOT BE REPRODUCED OR TRANSFERRED TO OTHER DOCUMENTS OR DISCLOSED TO OTHERS USED FOR MANUFACTURING OR ANY OTHER PURPOSE WITHOUT PRIOR WRITTEN PERMISSION.			

SEYMOUR DUNCAN RESEARCH

POWER TRANSFORMER PRIMARY
CONN'S, 100W CONVERTIBLE

POST DOCUMENTATION FOR ORIGINAL MODEL

SIZE	DRAWING NUMBER	REV
B	240005-XXX	99
SCALE 1X	SHEET	OF