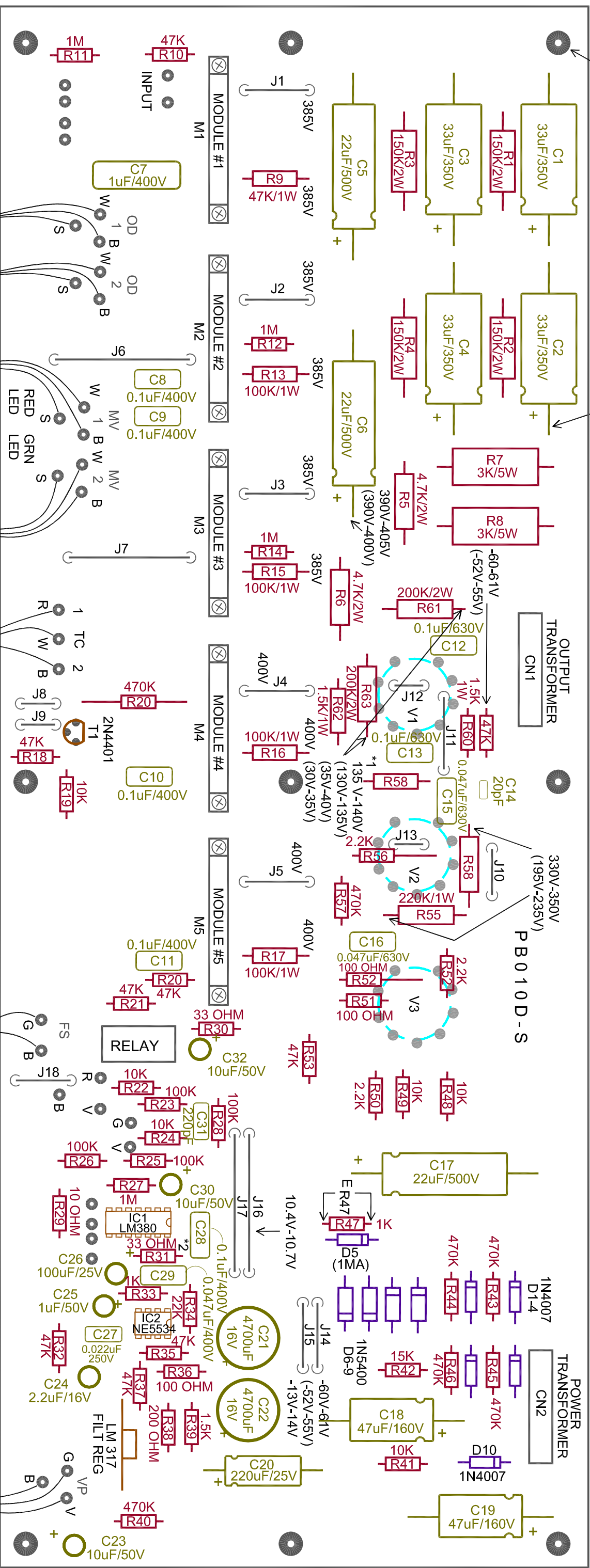


E_L = 11VAC
 E_{R47} = .60MV
 (E_{R47} = 1.5MV)

PCB MOUNTING HOLES (TYP. 9)

490V-500V (470V-480V)

NOTE: R58 OCCURS TWICE ON FACTORY SCHEMATIC AND ON THIS LAYOUT



**SEYMOUR DUNCAN CONVERTIBLE
 MAIN PCB COMPONENT LAYOUT**

DRAWN BY PAUL MAROSSY 1/10/12
 WWW.DIYGUITARIST.COM

*1 When V.P. is at 100 Watts, these voltages will be the higher value When V.P. is at 5 Watts, these voltages will be at the lower value

*2 Voltage on 33 ohm should be half of E_{FIL} (5.2V-5.4V)