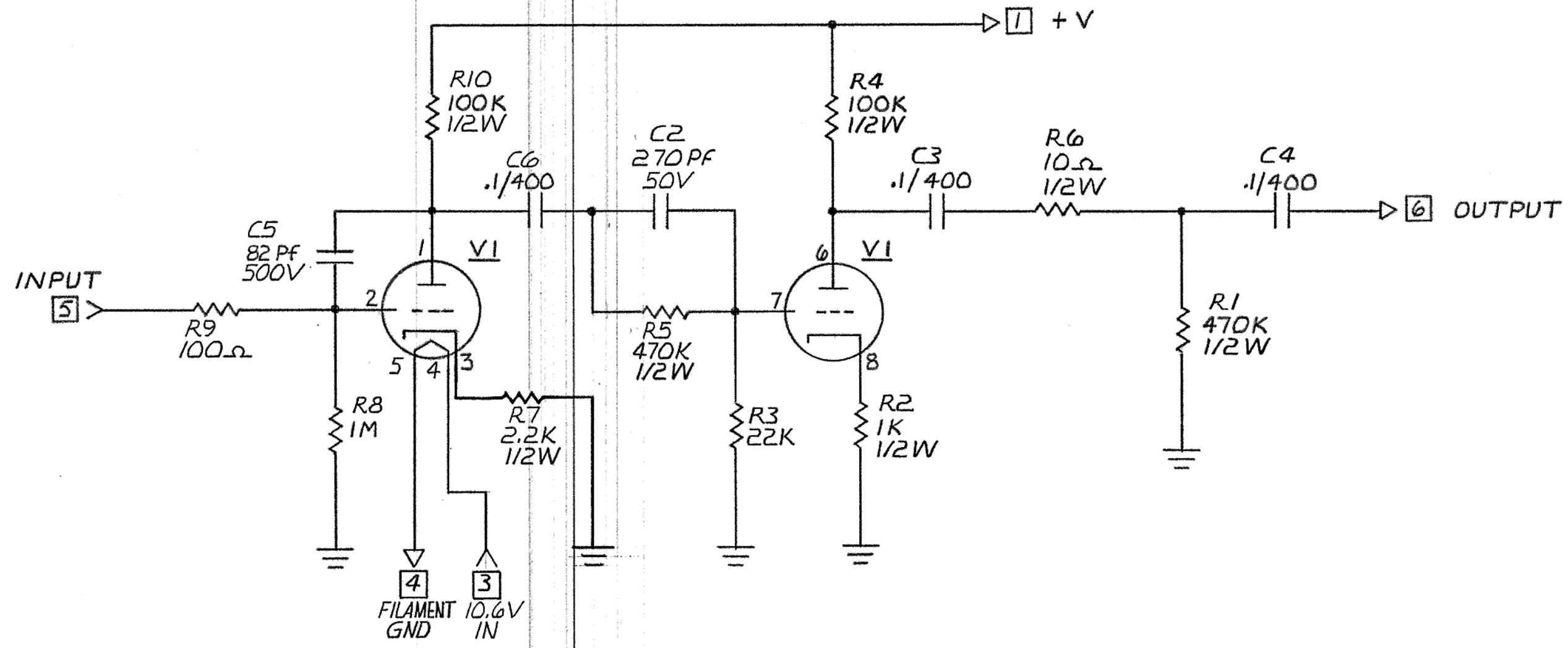


REV	DESCRIPTION	NAME	DATE
A	PRODUCTION RELEASE	STM	7-20-88



2. ALL GROUND POINTS CONNECT TO PIN 2 OF EDGE CONNECTOR.
1. ALL RESISTORS ARE 1/4W 5% UNLESS OTHERWISE SPECIFIED.

NOTES

PRESENCE MODULE		
SCALE: NONE	APPROVED BY:	DRAWN BY R.A.H.
DATE: 1-7-88		REVISED
SEYMOUR DUNCAN		
	DRAWING NUMBER	REV
	249101 SCM	A