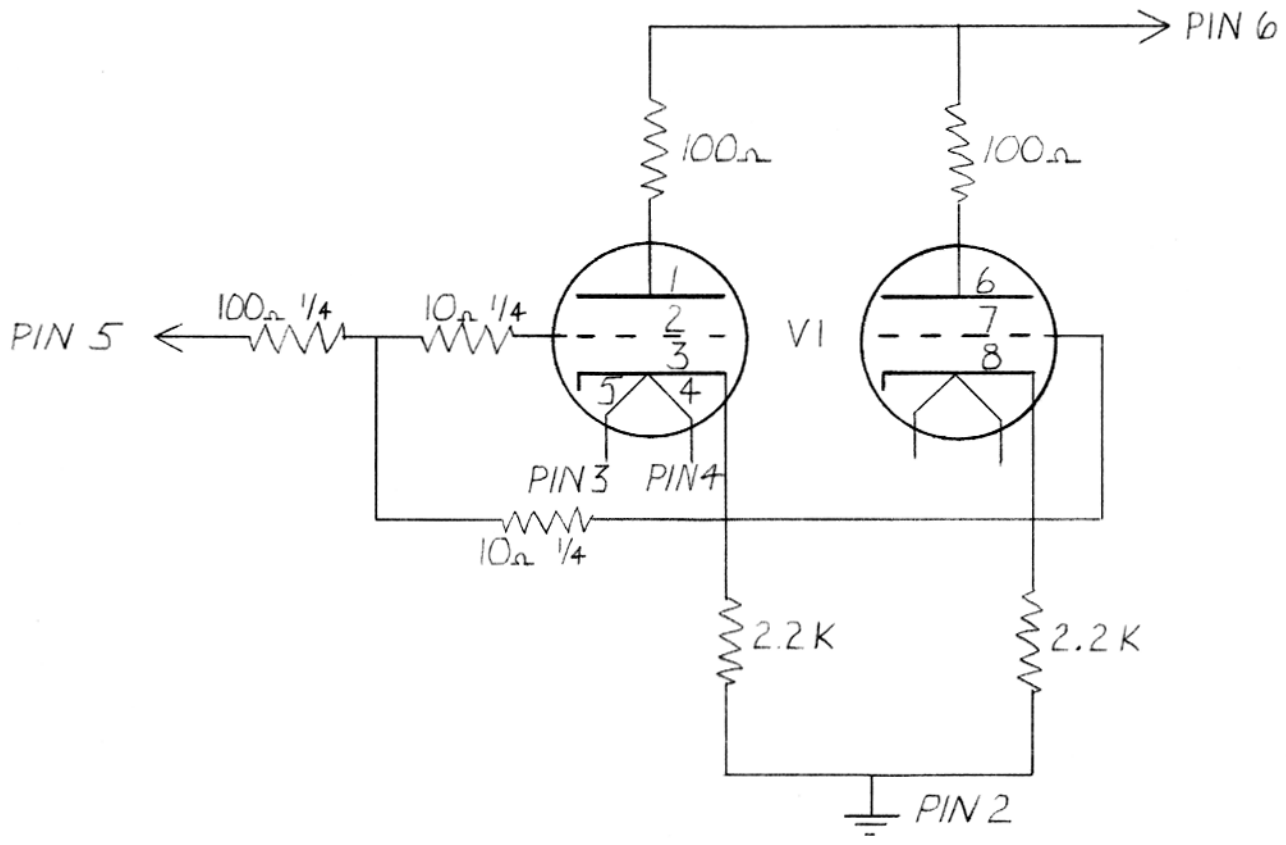


REV	DESCRIPTION	DATE	NAME
A	RELEASED	8-26-87	



SCHEMATIC ~ NORMAL MODULE		
SCALE: NONE	APPROVED BY:	DRAWN BY R.A.H.
DATE: 8-26-87		REVISED
SEYMOUR DUNCAN		
		DRAWING NUMBER 249051-SCM

- 3 PIN 1 IS NOT USED
  - 2 VI IS A 12AX7
  - 1 ALL RESISTORS 1/2W UNLESS NOTED
- NOTES: