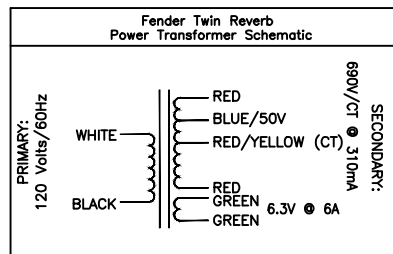
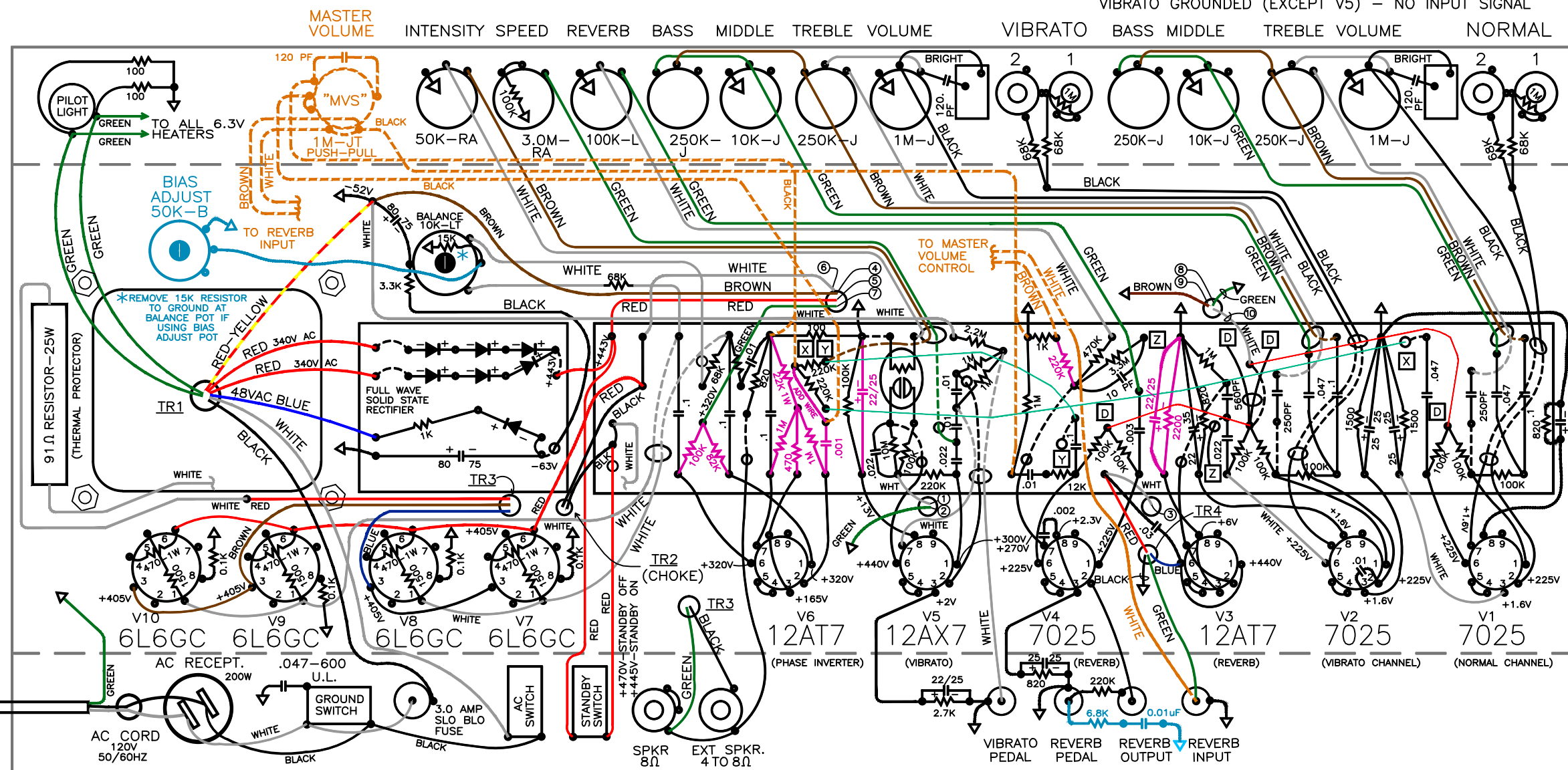


FENDER "TWIN REVERB-AMP 100W RMS" LAYOUT MODEL WITH REVERB AND VIBRATO

NOTICE

VOLTAGES READ TO GROUND WITH V.T.V.M. WITH VIBRATO GROUNDED (EXCEPT V5) - NO INPUT SIGNAL



TR1 POWER TRANSFORMER
TR2 CHOKE
TR3 OUTPUT TRANSFORMER
TR4 REVERB TRANSFORMER

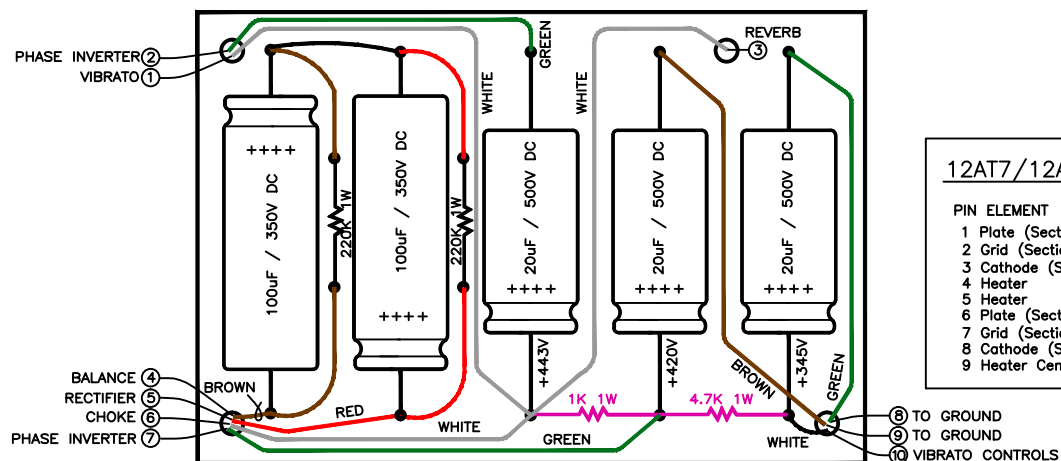
NOTE: ALL RESISTORS 1/2 WATT 10% TOLERANCE, IF NOT SPECIFIED.

NOTES: 1. ALL CAPACITORS AT LEAST 400 VOLT RATING, IF NOT SPECIFIED.
2. MASTER VOLUME PUSH-PULL SWITCH INDICATED AS "MVS". PUSH IN FOR PURE SOUND.

FENDER MUSICAL INSTRUMENTS
CBS MUSICAL INSTRUMENTS
A DIVISION OF COLUMBIA BROADCASTING SYSTEMS INC.
FULLERTON, CALIFORNIA
U.S.A.

THIS PRODUCT MANUFACTURED UNDER ONE OR MORE OF THE FOLLOWING U.S. PATENTS #2817708, #2973681, #192859 AND PATENTS PENDING.

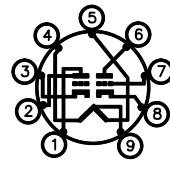
MASTER VOLUME CONTROL WAS ADDED IN NOVEMBER 1972 AS REV. "F". THIS DRAWING BASED ON AS-BUILT OF 1974 EXAMPLE ALL VALUES GIVEN ARE TAKEN FROM 100W MASTER VOLUME SCHEMATIC



FILTER CAPACITOR LAYOUT

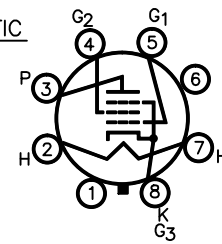
12AT7/12AX7/7025 SCHEMATIC

- PIN ELEMENT
- 1 Plate (Section 2)
 - 2 Grid (Section 2)
 - 3 Cathode (Section 2)
 - 4 Heater
 - 5 Heater
 - 6 Plate (Section 1)
 - 7 Grid (Section 1)
 - 8 Cathode (Section 1)
 - 9 Heater Center-Tap



6L6GC SCHEMATIC

- PIN ELEMENT
- 1 NONE
 - 2 HEATER (FILAMENT)
 - 3 PLATE (ANODE)
 - 4 SCREEN GRID
 - 5 CONTROL GRID
 - 6 NONE
 - 7 HEATER (FILAMENT)
 - 8 CATHODE



DWN.	F.T.	DATE	REL NO.	SIZE	DWG. NO.	REV.
CHK.		DATE	D		045377	E
APPD.		DATE				
APPD.		DATE				
APPROVAL-			8-28-69	SCALE NONE	MODEL TWIN REVERB AMP	SHEET 2 OF 2

REVISIONS	DATE	BY
E INC. ECO 2750 & ECO2053	1-30-70	
D INCORPORATED ECO 1687	10-16-69	
C INCORPORATED ECO 1069	5-29-69	