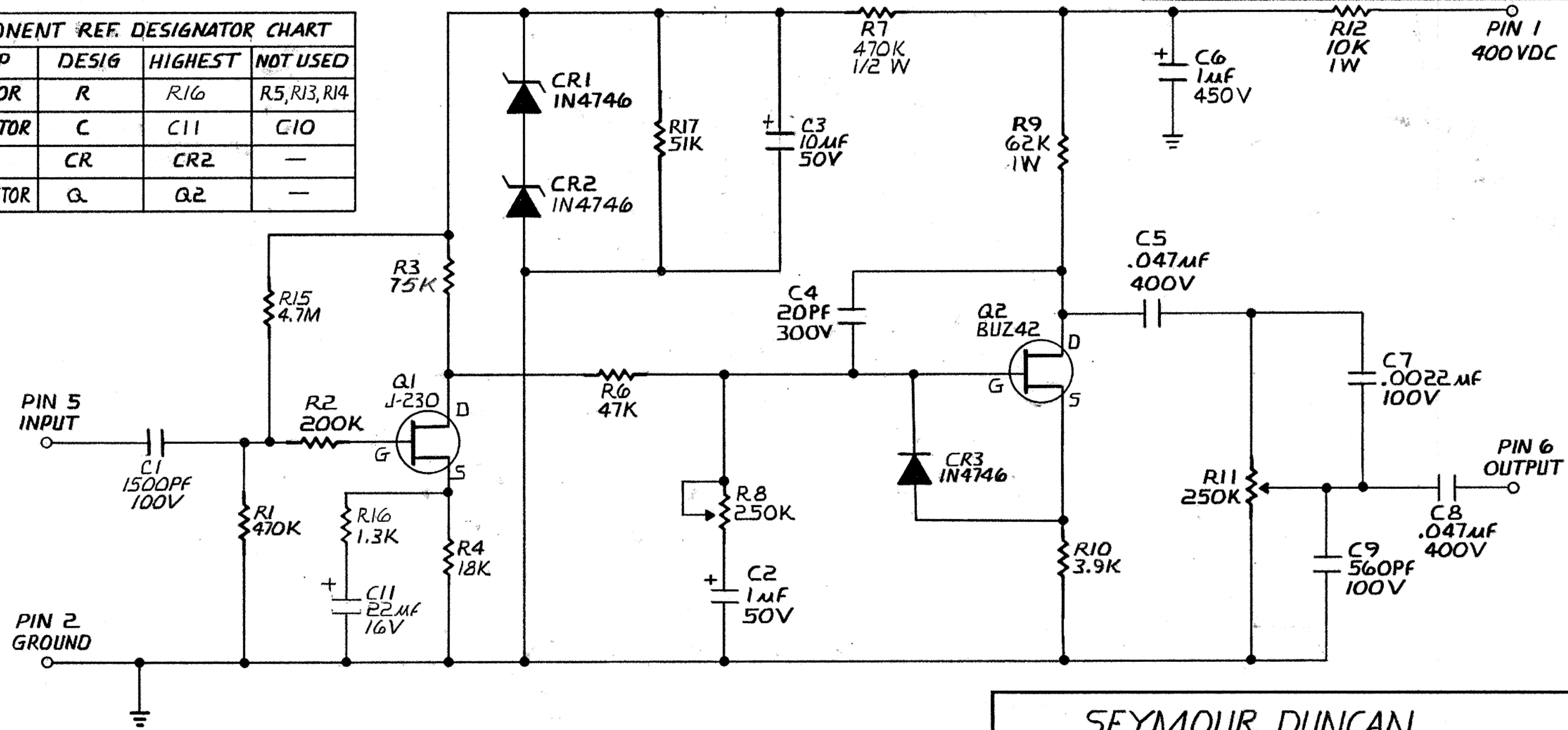


| REV | DESCRIPTION | APRVD | DATE |
|-----|-----------------------|-------|---------|
| I | ENGINEERING RELEASE | | |
| AI | PRODUCTION RELEASE | | |
| B | INCDRPP. MNF. ECR 622 | KB | 4-13-8 |
| C | INCORPORATE ECR 627 | KB | 4-21-8 |
| D | INCORP MFG ECR #666 | SM | 7-14-88 |
| E | INCORP MFG ECR 681 | | 9-20-88 |

| COMPONENT REF DESIGNATOR CHART | | | |
|--------------------------------|-------|---------|--------------|
| COMP | DESIG | HIGHEST | NOT USED |
| RESISTOR | R | R16 | R5, R13, R14 |
| CAPACITOR | C | C11 | C10 |
| DIODE | CR | CR2 | — |
| TRANSISTOR | Q | Q2 | — |



SEYMOUR DUNCAN

| | | |
|--------------------|--------------|------------------------|
| SCALE: NONE | APPROVED BY: | DRAWN BY <i>Monser</i> |
| DATE: 2/88 | | REVISED |

SCHEMATIC - HOT MOD.

| | |
|----------------|-----|
| DRAWING NUMBER | REV |
| 249151-SCM | E |

1. ALL RESISTORS ARE 1/4 WATT 5% UNLESS NOTED.
 NOTES: UNLESS OTHERWISE SPECIFIED.