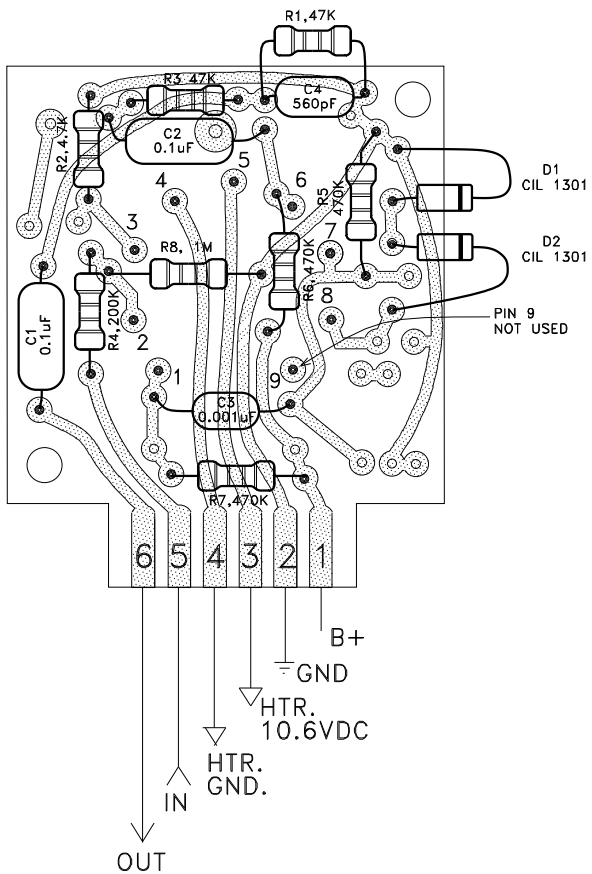


SCHEMATIC



PARTS LIST:

R1	47K, 1/2W
R2	4.7K, 1/2W
R3	47K, 1/2W
R4	200K, 1/2W
R5	470K, 1/2W
R6,R7	470K, 1W
R8	1M, 1/2W
C1,C2	0.1uF, 400V
C3*	.001uF, 500V CER.
C4	560pF, 250V
D1,D2 ⁺	CIL 1301 DIODE
TS1	9-PIN PC MOUNT TUBE SOCKET

* For More Bass, Use .022uF
⁺ 1Ma Field Effect Current
 Limiting Diode

OTHER:

PCB BOARD KIT
 PLASTIC ENCLOSURE -
 50mmX50mmX20mm

SEYMOUR DUNCAN HI-GAIN
 HYBRID PREAMP MODULE

NO SCALE