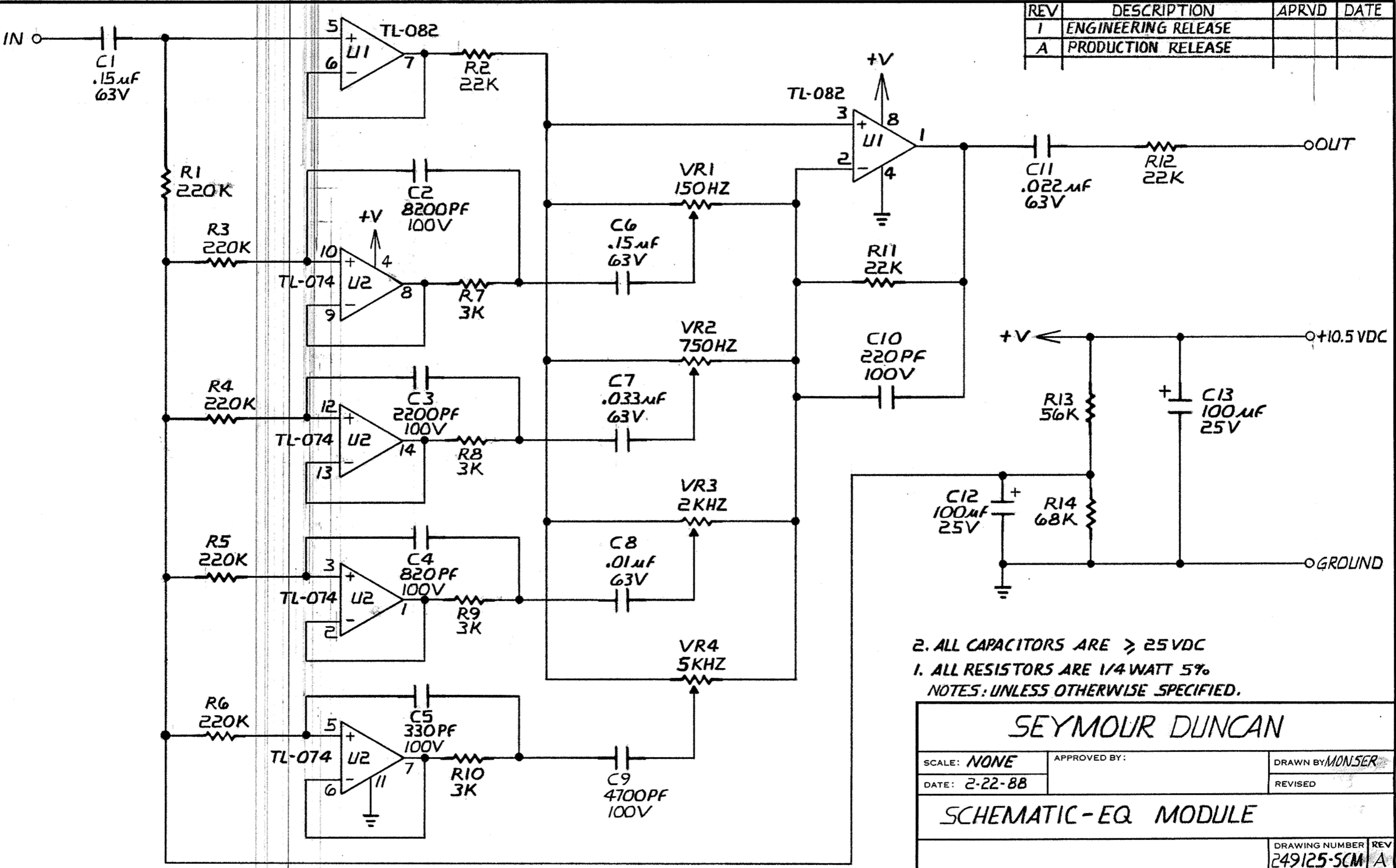


REV	DESCRIPTION	APRVD	DATE
1	ENGINEERING RELEASE		
A	PRODUCTION RELEASE		



- 2. ALL CAPACITORS ARE ≥ 25VDC
- 1. ALL RESISTORS ARE 1/4 WATT 5%
- NOTES: UNLESS OTHERWISE SPECIFIED.

SEYMOUR DUNCAN		
SCALE: NONE	APPROVED BY:	DRAWN BY MONSER
DATE: 2-22-88		REVISED
SCHEMATIC-EQ MODULE		
	DRAWING NUMBER	REV
	249125-SCM	A