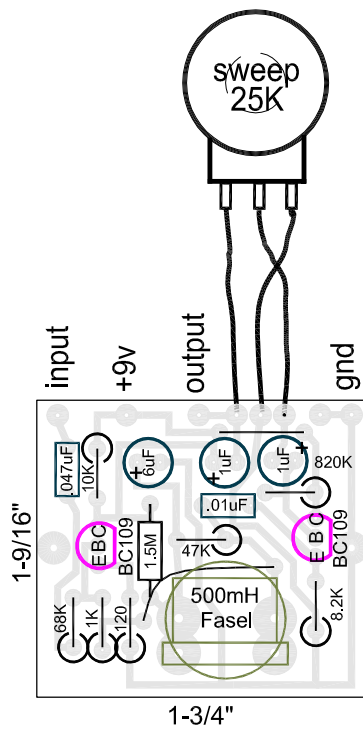


MAESTRO BOOMERANG SCHEMATIC

www.DIYguitarist.com



MAESTRO BOOMERANG WAH
 COMPACT PCB LAYOUT BY PAUL MAROSSY 10/4/06

